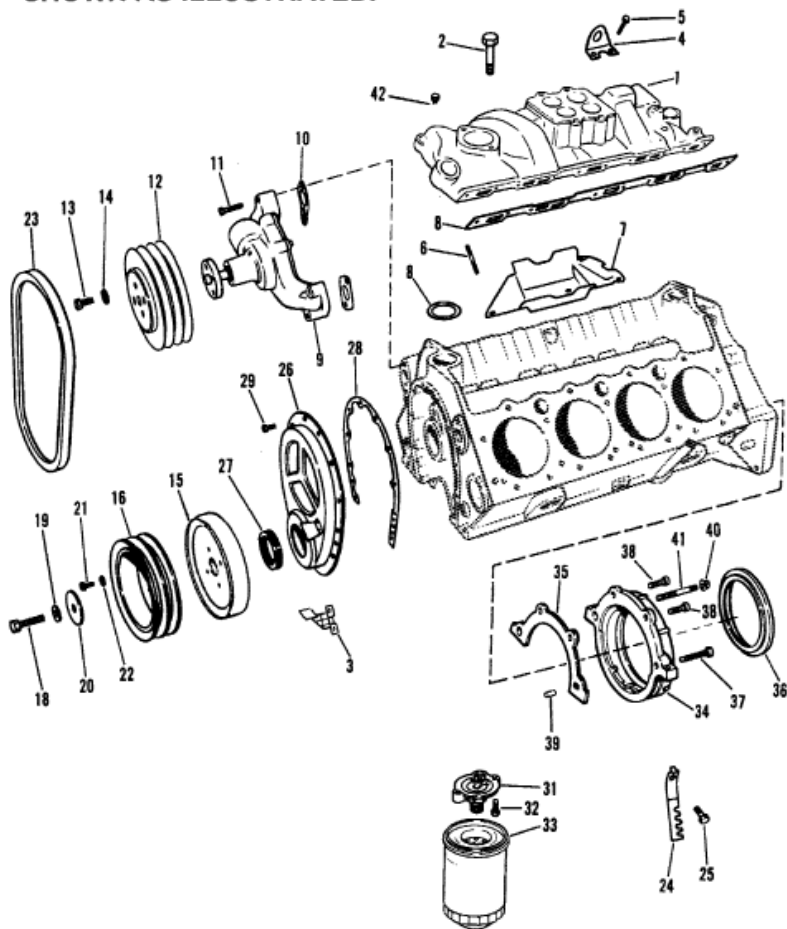


**NOTE: ORDER REPLACEMENT PARTS FROM THIS PAGE IF  
 CRANKSHAFT PULLEY (REF. #16) IS STAMPED STEEL AND  
 SHOWN AS ILLUSTRATED.**



1497

Parts List						
Ref	Class	Part	Description	Qty	Comment	Footnote
1		17618	INTAKE MANIFOLD	1	(4 BARREL)	
1		17619	INTAKE MANIFOLD	1	(2 BARREL)	
1		17620	INTAKE MANIFOLD	1	(4 BARREL - HI-RISE)	
2	10	806681	BOLT	9	(3/8-16 X 7/8 IN.)	
2	10	11975	BOLT	3	(3/8-16 X 1-1/4 IN.)	
3		75435A 1	TIMING POINTER	1		
4	54	47512	LIFTING EYE	1		
5	10	34354	SCREW	1		
6		N.S.S.	STUD (GM#3959544)	4		2
7		72647	GUARD	1		
8	27	17145	GASKET SET	1	(Use RTV Silicone Sealant for end 4	
9		17437	WATER PUMP ASSEMBLY	1		
10	27	34897	GASKET	2		4
11	10	32132	SCREW	2	(1-3/4 IN.)	
11	10	47688	SCREW	1	(2-3/4 IN.)	
11	10	52200	SCREW	1	(1-1/2 IN.)	
12		15120T	PULLEY (3 GROOVE)	1		
13	10	47277	SCREW	4		
14	13	39107	LOCKWASHER	4		
15		75420	HARMONIC BALANCER	1		
16		33863	PULLEY (2 GROOVE)	1		
18	10	72626	BOLT	1		
19	13	39131	LOCKWASHER	1		
20	12	35332	WASHER	1		
21	10	34352	BOLT	3	(7/8 IN.) (W/O POWER STEERING)	
21	10	35786	BOLT	3	(1 IN.) (WITH POWER STEERING)	
22	13	35048	LOCKWASHER	3		
23	57	49213A 1	DRIVE BELT (44 IN.)	1		
24		35365	SUPPORT	2	USE WHERE APPLICABLE	
25	10	35366	SCREW (2-1/2 IN.)	2	USE WHERE APPLICABLE	
26		14249A 2	COVER	1		
27	26	97335	OIL SEAL	1		4
28	27	14250	GASKET	1		4
29	10	35366	SCREW	10		
31		53338	FILTER VALVE	1	W/O REMOTE OIL FILTER	
32	10	54786	SCREW	2	W/O REMOTE OIL FILTER	
33		14957	OIL FILTER	1	W/O REMOTE OIL FILTER	
34		14239	RETAINER (REAR)	1		
35	27	14241	GASKET	1		4
36	26	14240	OIL SEAL (REAR)	1		4
37	10	14242	BOLT	1		